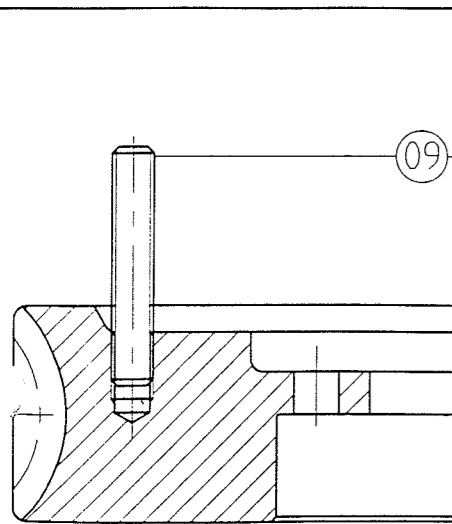


SECTION VIEW OF WORM WHEEL



STUD FOR ALIGNMENT  
PURPOSES OF THRUSTER  
GLUE WITH LOCTITE 270

Placement of RRB-stud POS 09

Use Shell Malleus for spline connection

FOR ALL BOLT  
CONNECTIONS USE  
LOCTITE 270

Centre distance of worm set	2475 mm nominal
Mounting clearance of worm teeth	0.22 - 0.34 mm
Bearing clearance	0 mm

SCALE	1:1	REMARKS	
DATE	14-03-2001		
NAME	BY		
CHECKED	DVT		
MATERIAL		PAINT SYSTEM	
WEIGHT			
TITLE <i>Prepared worm wheel</i>			
STEERING SECTION ASSEMBLY <i>steering</i>			
A0			0650z40000